

PART NO: KM1+2-12.5-3+0 SC

TYPE: Type 1+2 lightning current and surge arrester

DESCRIPTION: Varistor based Type 1+2 surge arrester. Use in TN-C system sub-distribution boards on the boundary of LPZ0 and LPZ1 and main distribution boards on the boundary of LPZ1 and LPZ2 (if >50m away from the MDB).

Suitable for houses, commercial and industrial buildings.

RATING: 12.5kA THREE PHASE TN-C / TN-C-S



LPL I + II

SYSTEM: THREE PHASE TN-C

MDB: -

SDB: BOUNDARY of LPZ1 & LPZ2 (if >50m away from MDB)

LPL III + IV

SYSTEM: THREE PHASE TN-C & TN-C-S

MDB: BOUNDARY of LPZ0 & LPZ1

SDB: BOUNDARY of LPZ1 & LPZ2 (if >50m away from MDB)

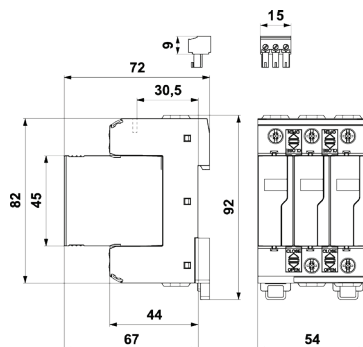
Standards

BS:EN 62305 (lightning protection) and EN 61643-11 (surge protection devices).

Electrical specification

Order number	KM1+2-12.5-3+0 SC	
System	Three phase TN-C & TN-C-S/3 pole	
Nominal voltage	U_n	230V AC
Nominal voltage	U_o	230V/400V AC \pm 10%
Maximum operating voltage	U_c	275V AC/350V DC
Lightning impulse current (10/350 μ s)	I_{imp}	12.5kA
Nominal discharge current (8/20 μ s)	I_n	30kA
Maximum discharge current (8/20 μ s)	I_{max}	60kA
Voltage protection level at 5kA	U_p	0.9kV
Voltage protection level	U_p	1.5kV
Short-circuit current rating	I_{SCCR}	50kA
Maximum overcurrent protection		160A gL/gG
Response time	t_a	25ns
Cross-section of connected conductors solid (min - max)		1mm ² - 35mm ²
Cross-section of connected conductors stranded (min - max)		1mm ² - 25mm ²
Fault indication		Red indication field
Remote indication		Potential-free change-over contact
Remote indication contacts		250V/0.5A AC, 250V/0.1A DC
Cross-section of remote indication conductors		1.5mm ²
Degree of protection		IP20
Range of operating temperatures (min - max)		-40°C - +80°C
Mounting		DIN rail 35mm
According to standard		EN 61643-11:2012, IEC 61643-11:2011 / T1, T2
Weight		435g (nett), 480g (gross)

Dimensions:



Wiring diagram:

