

## PART NO: KM1+2-25-2+0 SC

**TYPE:** Type 1+2 lightning current and surge arrester

**DESCRIPTION:** High performance two pole Type 1+2 surge arrester. Use in TN-S and TN-C-S system main distribution boards on the boundary of LPZ0 and LPZ1 and sub-distribution boards on the boundary of LPZ1 and LPZ2 (if >100m away from the MDB).

Suitable for houses, commercial and industrial buildings.

**RATING:** 25kA SINGLE PHASE TN-S / TN-C-S



### LPL I + II

**SYSTEM:** SINGLE PHASE TN-S & TN-C-S

**MDB:** BOUNDARY of LPZ0 & LPZ1

**SDB:** BOUNDARY of LPZ1 & LPZ2 (if >100m away from MDB)

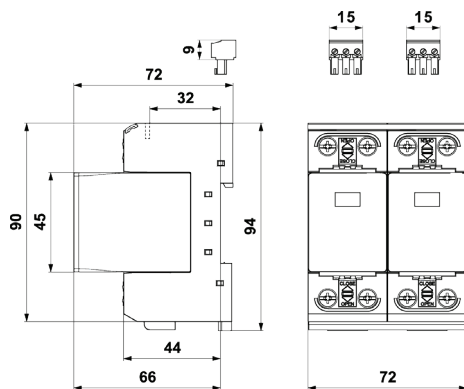
### Standards

BS:EN 62305 (lightning protection) and EN 61643-11 (surge protection devices).

### Electrical specification

Order number	KM1+2-25-2+0 SC	
System	Single phase TN-S/TN-C-S 2 pole	
Nominal voltage	$U_n$	230V AC
Nominal voltage	$U_o$	230V/400V AC $\pm$ 10%
Maximum operating voltage	$U_c$	260V AC
Nominal load current for "V" connection	$I_L$	125A
Lightning impulse current (10/350 $\mu$ s)	$I_{imp}$	25kA
Nominal discharge current (8/20 $\mu$ s)	$I_n$	30kA
Maximum discharge current (8/20 $\mu$ s)	$I_{max}$	60kA
Voltage protection level	$U_p$	1.5kV
Short-circuit current rating	$I_{SCCR}$	50kA
Maximum overcurrent protection		250A gL/gG
Maximum overcurrent protection for "V" connection		125A gL/gG
Response time	$t_a$	100ns
Cross-section of connected conductors solid (min - max)		2.5mm <sup>2</sup> - 50mm <sup>2</sup>
Cross-section of connected conductors stranded (min - max)		2.5mm <sup>2</sup> - 35mm <sup>2</sup>
Fault indication		Red indication field
Remote indication		Potential-free change-over contact
Remote indication contacts		250V/0.5A AC, 250V/0.1A DC
Cross-section of remote indication conductors		1.5mm <sup>2</sup>
Degree of protection		IP20
Range of operating temperatures (min - max)		-40°C - +80°C
Mounting		DIN rail 35mm
According to standard		EN 61643-11:2012, IEC 61643-11:2011 / T1, T2
Weight		700g (nett), 755g (gross)

### Dimensions:



### Wiring diagram:

