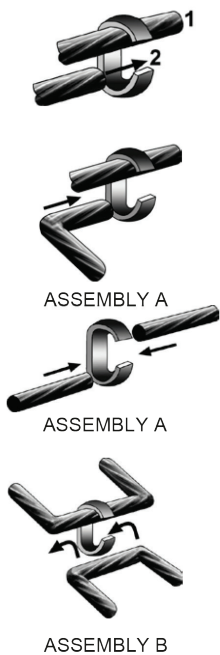
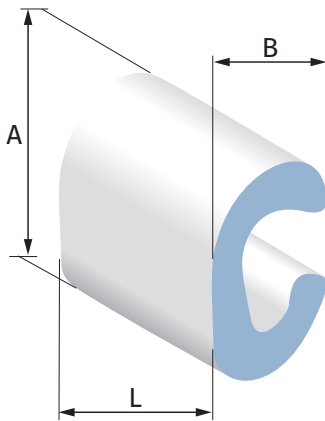
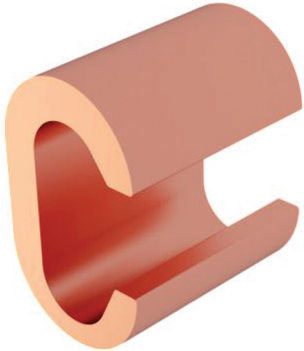


C Crimp Connectors



Kingsmill **C Crimp Connectors** are manufactured from high purity copper profiles and are suitable for a variety of uses, either to create an earthing network or tapping off overhead distribution lines.

Kingsmill **C Crimp Connectors** are designed to allow connections to cable to be formed without the need to cut the main cable.

We also supply a range of sizes in either plain or tinned finish.

CAPACITIES (mm ²)						ASSEMBLY	PART NO.	
TOTALS		MINIMUM		MAXIMUM			COPPER	TIN PLATED COPPER
Min	Max	Run	Tap	Run	Tap			
3	12	1.5	1.5	6	6	A	C6	C6E
13	20	10	2 x 1.5	10	10	A	C10	C10E
19	32	10	9 2 x 1.5	16	16	A + B	C16	C16E
17	35	16	1.5	25	25	A	C25-10	C25-10E
35	41	25	10	25	25	A + B	C25PM	C25PME
33	56	25	10 6 2 x 1.5	29.3 35 50	29.3 35 30	A A + B A + B	C25	C25E
53	70	30	25 2 x 1.5	35 50	35 50	A + B A + B	C35	C35E
66	100	50	16 2 x 1.5	50 70 75	50 70 75	A A A	C50	C50E
54	110	50	4	70	70	A	C70-35	C70-35E
85	140	50	35	70	70	A	C70	C70E
105	170	75	30 35 90	95 95	95 95	A + B A + B	C75	C75E
99	140	95	4	100	100	A	C95-35	C95-35E
150	190	75	75	95	95	A	C95	C95E
156	240	120	35 6	120 150	120 150	A A	C120	C120E
225	300	150	75	150	150	A + B	C150	C150E
260	300	185	75			A + B	C185-95	C185-95E
210	370	115	95 60	185 185	185 185	A + B A + B	C185	C185E
387	480	240	147	240	240	A	C240	C240E

Material: Copper

Standard: BS:EN 12163