

PRODUCT DATA SHEET

PART No. TCGN/Y506

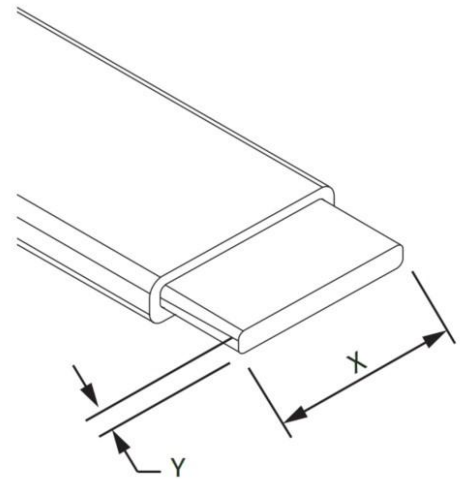
DESCRIPTION: 50X6 Green / Yellow Pvc Sheathed



SPECIFICATION

| | |
|------------------------|--|
| PART No. | TCGN/Y506 |
| DESCRIPTION | 50x6 Green / Yellow Pvc Sheathed Copper Tape |
| WEIGHT | 2.96 (kg/m) (Approx.) |
| MATERIAL | Copper to BS EN 13601 |
| COIL SIZE | 20m |
| C.S.A | 300 mm ² |
| CONDUCTOR SIZE (Y x X) | 50 x 6 |
| STANDARD | BS EN 62561-2 |
| | |

ADDITIONAL INFORMATION



ISOMETRIC VIEW / PRODUCT INFORMATION

AUTHORISATION

| | |
|--|-------------------|
| Drawn :-M.F | Date:- 14/02/2023 |
| Approved :- M.H | Date:- 14/02/2023 |
| THIS DATA SHEET IS THE PROPERTY OF KINGSMILL INDUSTRIES (UK) LTD | |

KINGSMILL
INDUSTRIES (UK) LTD

UNIT 4, PLYMOUTH AVENUE, PINXTON, NG16 6NS, ENGLAND

TEL: +44 (0) 1773 510001 FAX: +44 (0) 1773 863336

E-MAIL: sales@kingsmillearthing.co.uk WEB: www.kingsmillearthing.co.uk