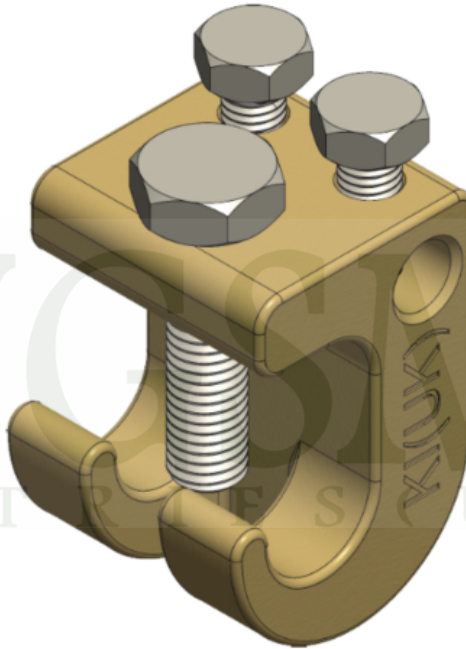


PRODUCT DATA SHEET

PART No. RTC70

DESCRIPTION: Rod / Rebar Clamp - J Type



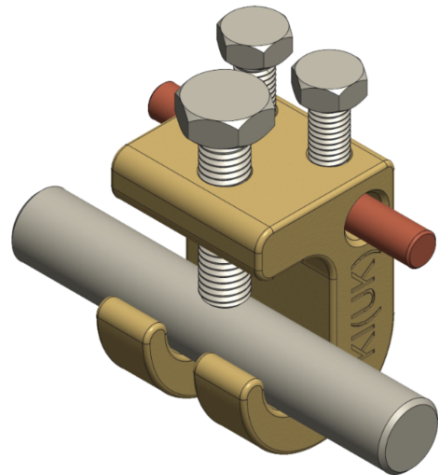
KINGSMILL

INDUSTRIES (UK) LTD

SPECIFICATION

PART No.	RTC70
DESCRIPTION	Rod / Rebar Clamp - J Type
WEIGHT	0.46 kg (APPROX.)
MATERIAL	Body - C87800 Copper Alloy Fittings - SS304
DUCTOR SIZE RANGE	2 — 10mm Dia
ROD / RE-BAR SIZE RANGE	6 — 18mm Dia
STANDARDS	BS EN 62561-1
TIGHTENING TORQUE	M8 - 10Nm M10 - 12Nm

GENERAL ARRANGEMENT



ISOMETRIC VIEW / PRODUCT INFORMATION

AUTHORISATION

Drawn :- M.F.	Date:- 27/11/2024
Approved :- M.H.	Date:- 27/11/2024

THIS DATA SHEET IS THE PROPERTY OF KINGSMILL INDUSTRIES (UK) LTD

KINGSMILL
INDUSTRIES (UK) LTD

UNIT 4, PLYMOUTH AVENUE, PINXTON, NG16 6NS, ENGLAND

TEL: +44 (0) 1773 510001 FAX: +44 (0) 1773 863336

E-MAIL: sales@kingsmillearthing.co.uk WEB: www.kingsmillearthing.co.uk